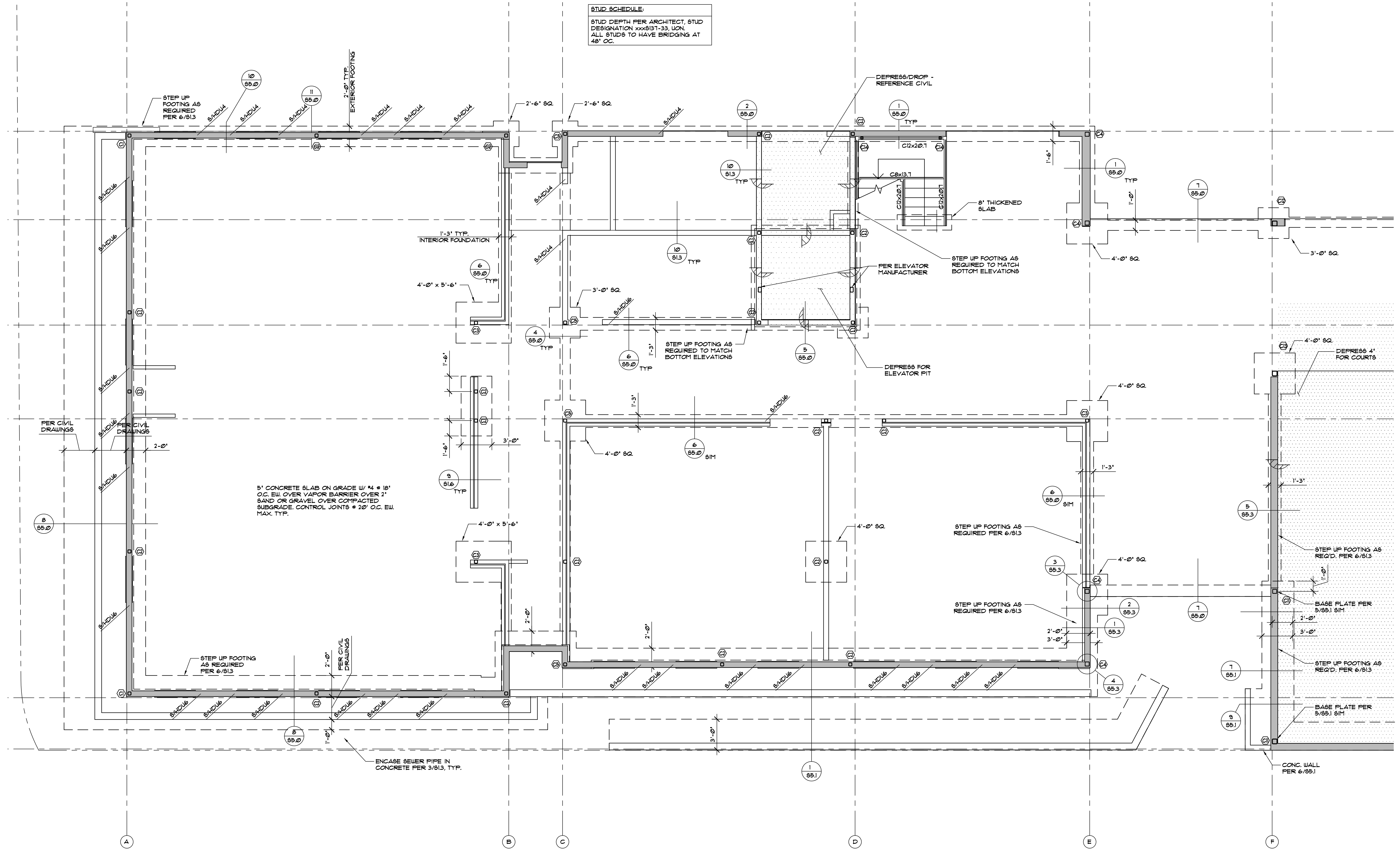


COLUMN SCHEDULE:

	1	2	3	4	5	6	7	8	9	10	11	12	13	14	15	
ROOF CEILING																
2ND FL. CEILING																
FOUNDATION DESIGNATION	C1	C2	C3	C4	C5	C6	C7	C8	C9	C10	C11	C12	C13	C14	C15	
COLUMN	H854x4x3/8	H854x4x1/4	H854x4x1/4	H855x5x1/4	H854x4x1/4	H854x4x3/8	H854x4x3/8	H854x4x1/4	H854x4x1/4	H856x6x1/4	H856x6x3/8	H856x6x1/2	H853x3x1/4	H856x4x1/2		

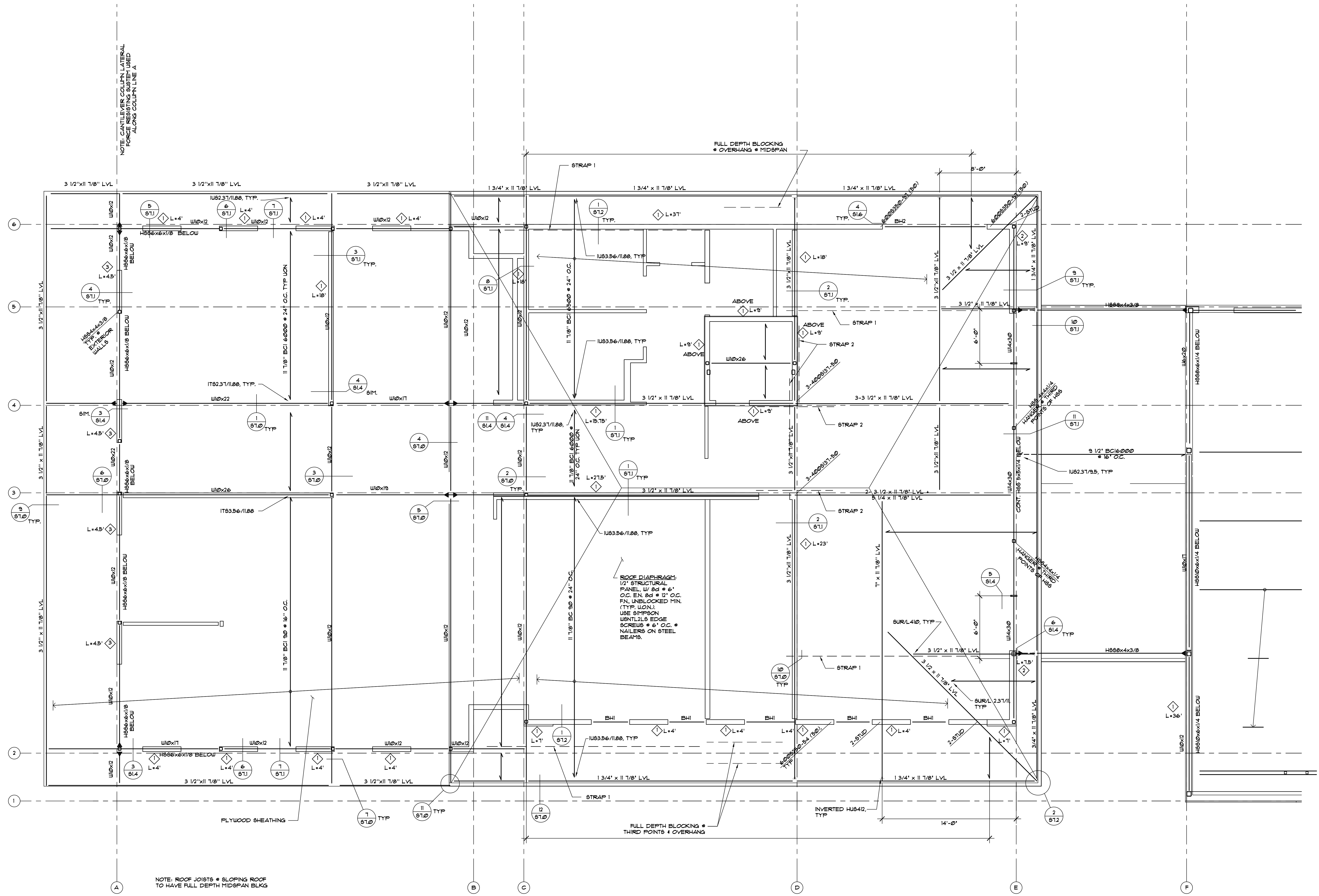
STUD SCHEDULE:

STUD DEPTH PER ARCHITECT, STUD DESIGNATION xxxxBT-33, UCN. ALL STUDS TO HAVE BRIDGING AT 48" O.C.



FOUNDATION PLAN - AREA 1

SCALE: 1/4"=1'-0"



NOTE: CANTILEVER COLUMN LATERAL FORCE RESISTANCE USED ALONG COLUMN LINE A

NOTE: ROOF JOISTS @ SLOPING ROOF TO HAVE FULL DEPTH MIDSPAN BULK

FULL DEPTH BLOCKING @ THIRD POINTS & OVERHANG

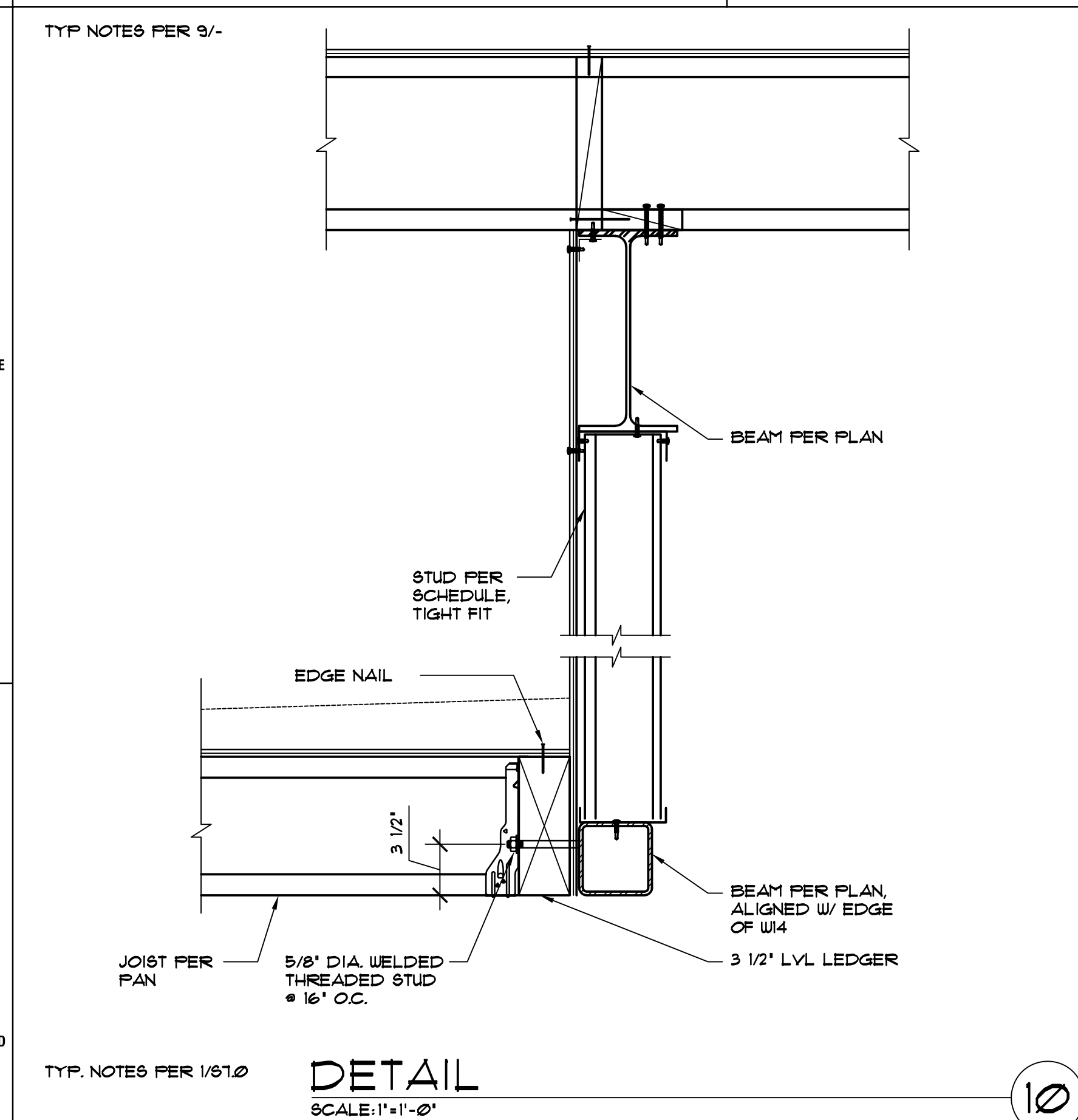
BOXED HEADER SCHEDULE

BH1	2-600062-60 (50)
BH2	2-200500-51 (50)

STRAP 1: CH18T4 x 20' LONG W/ 10d x 1 1/2" NAILS, 48" LAP TO BEAM
 STRAP 2: CH18T4 x 9' LONG W/ 10d x 1 1/2" NAILS, 48" LAP TO BEAM

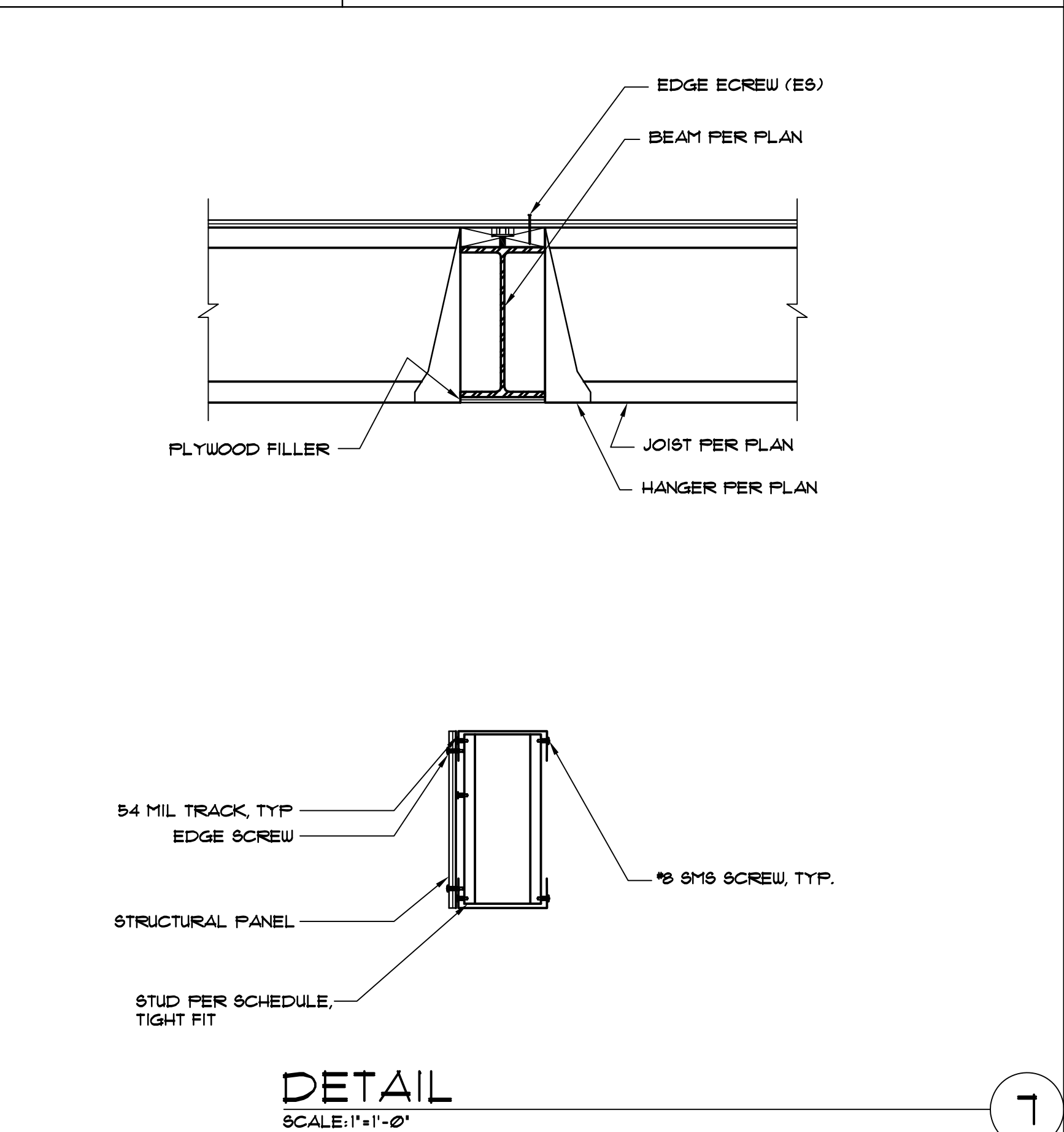
ROOF FRAMING PLAN - AREA 1

SCALE: 1/4"=1'-0"



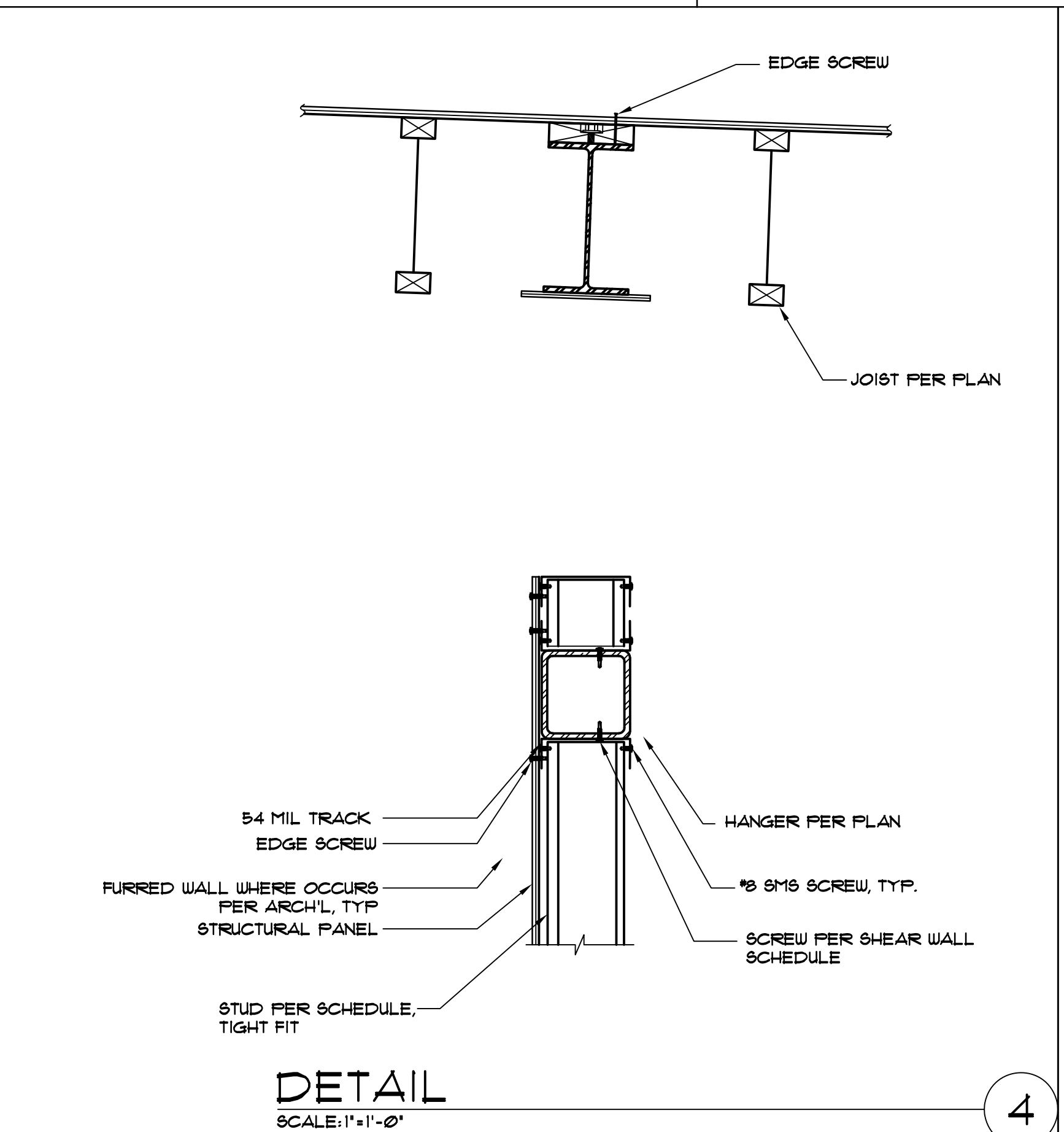
DETAIL
SCALE: 1"=1'-0"

10



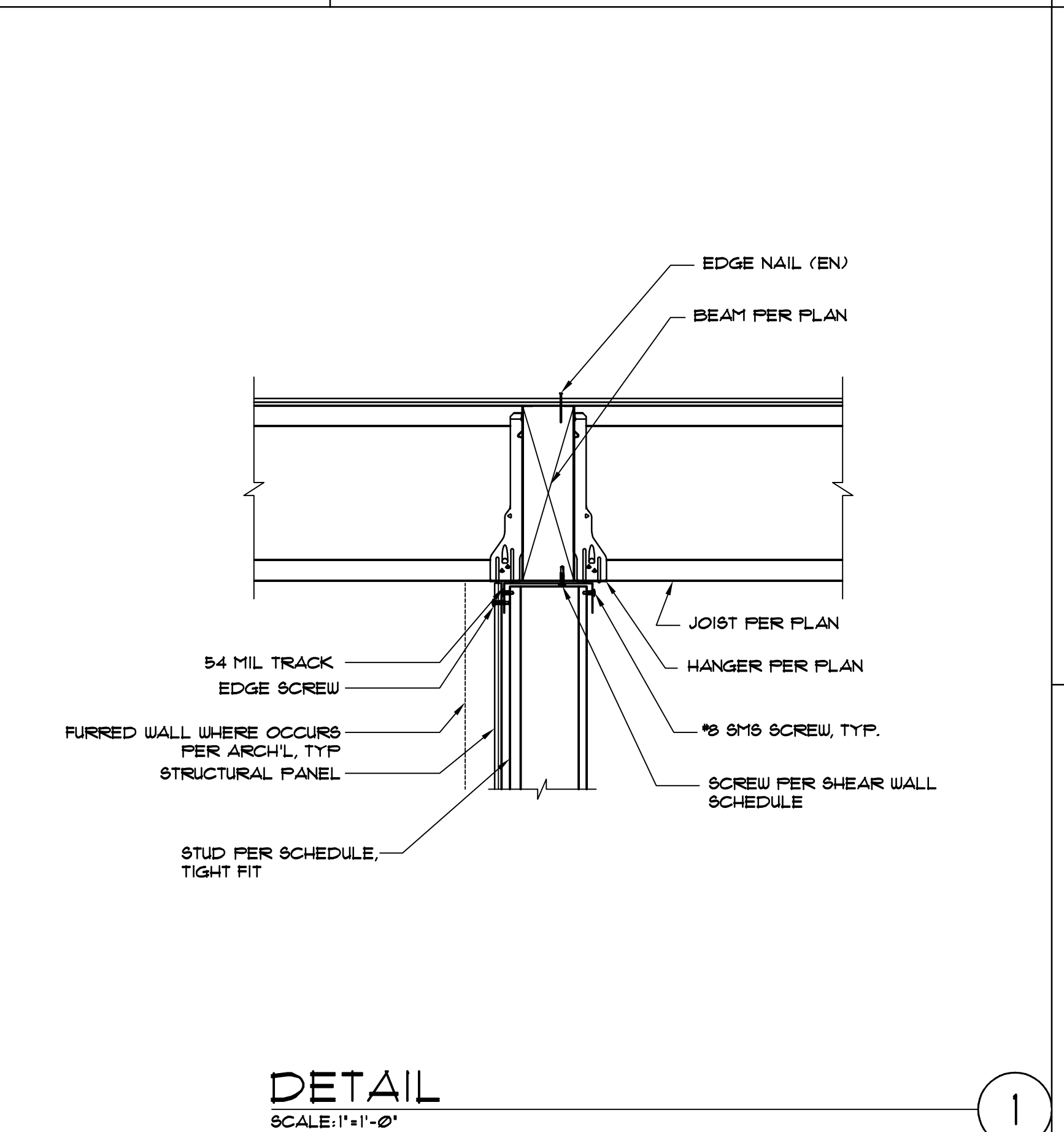
DETAIL
SCALE: 1"=1'-0"

7



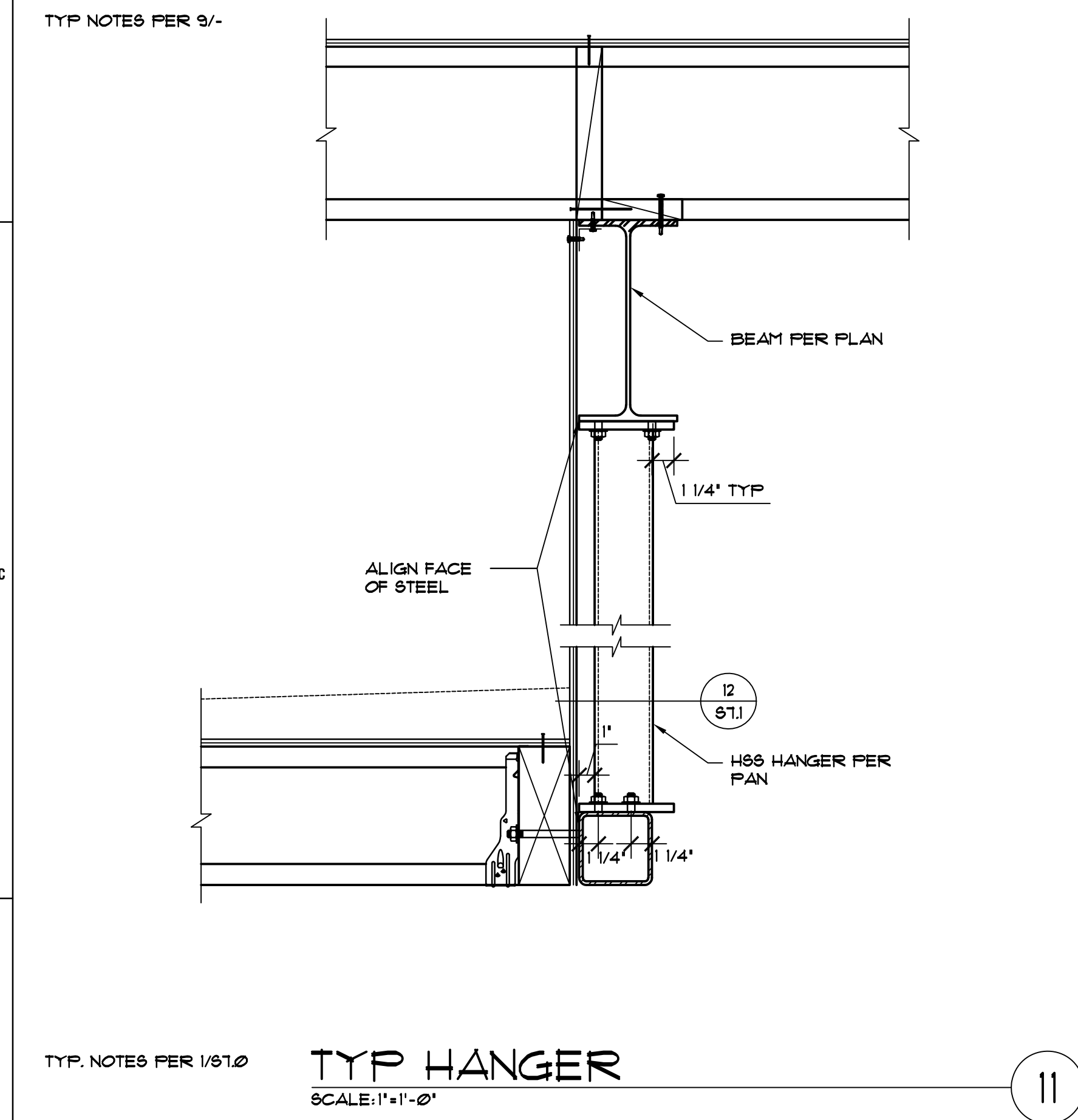
DETAIL
SCALE: 1"=1'-0"

4



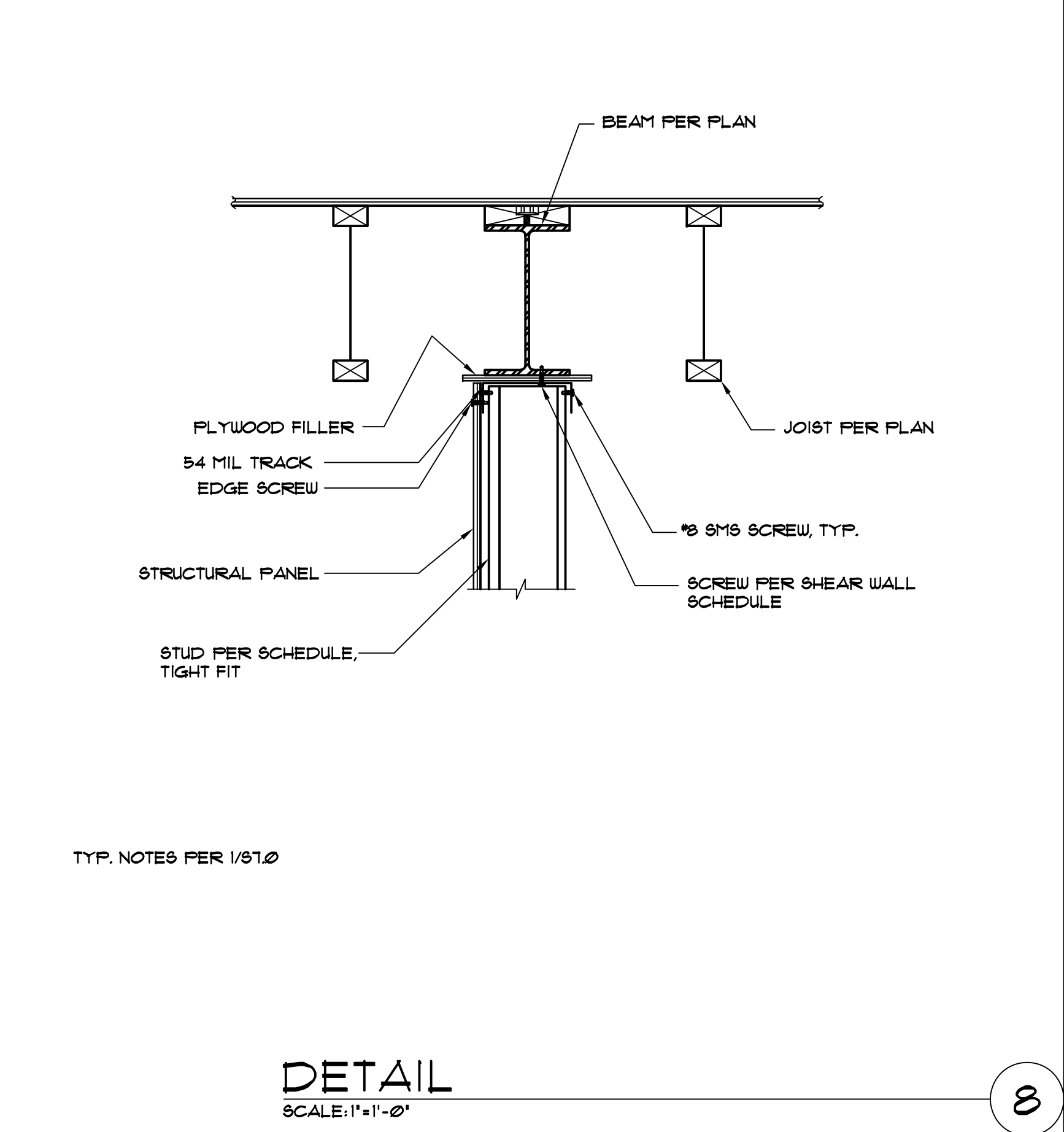
DETAIL
SCALE: 1"=1'-0"

1



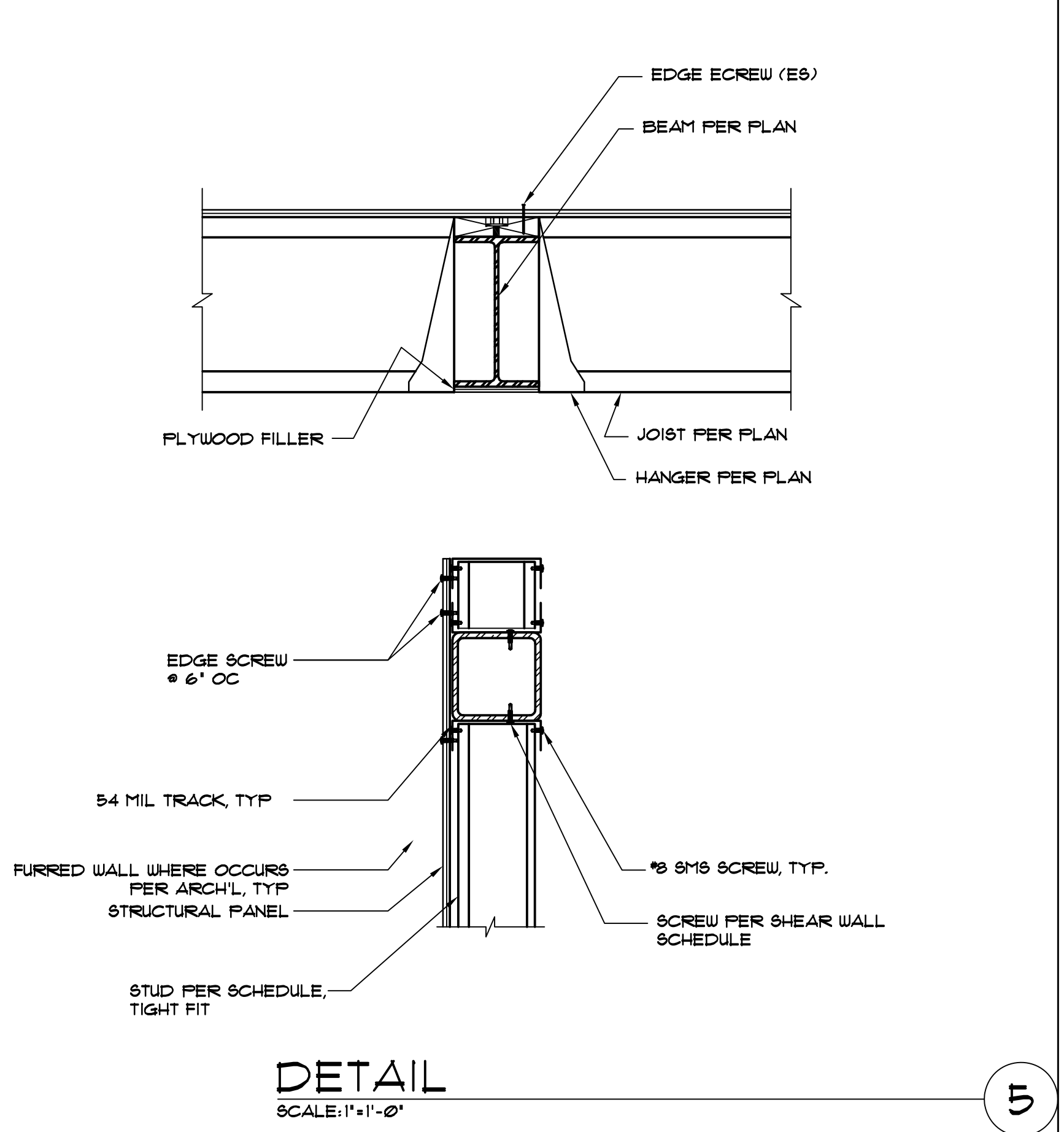
TYP HANGER
SCALE: 1"=1'-0"

11



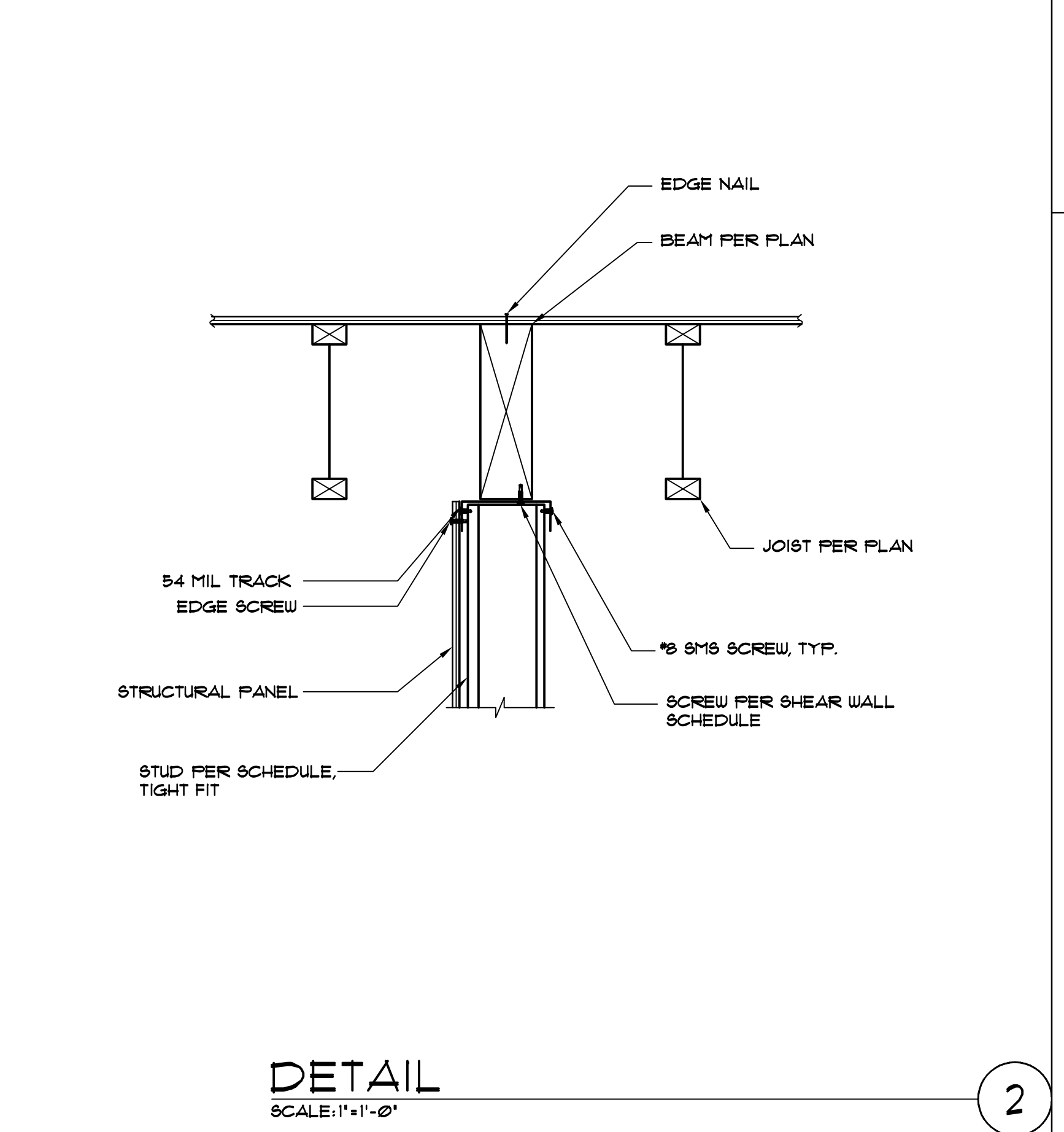
DETAIL
SCALE: 1"=1'-0"

8



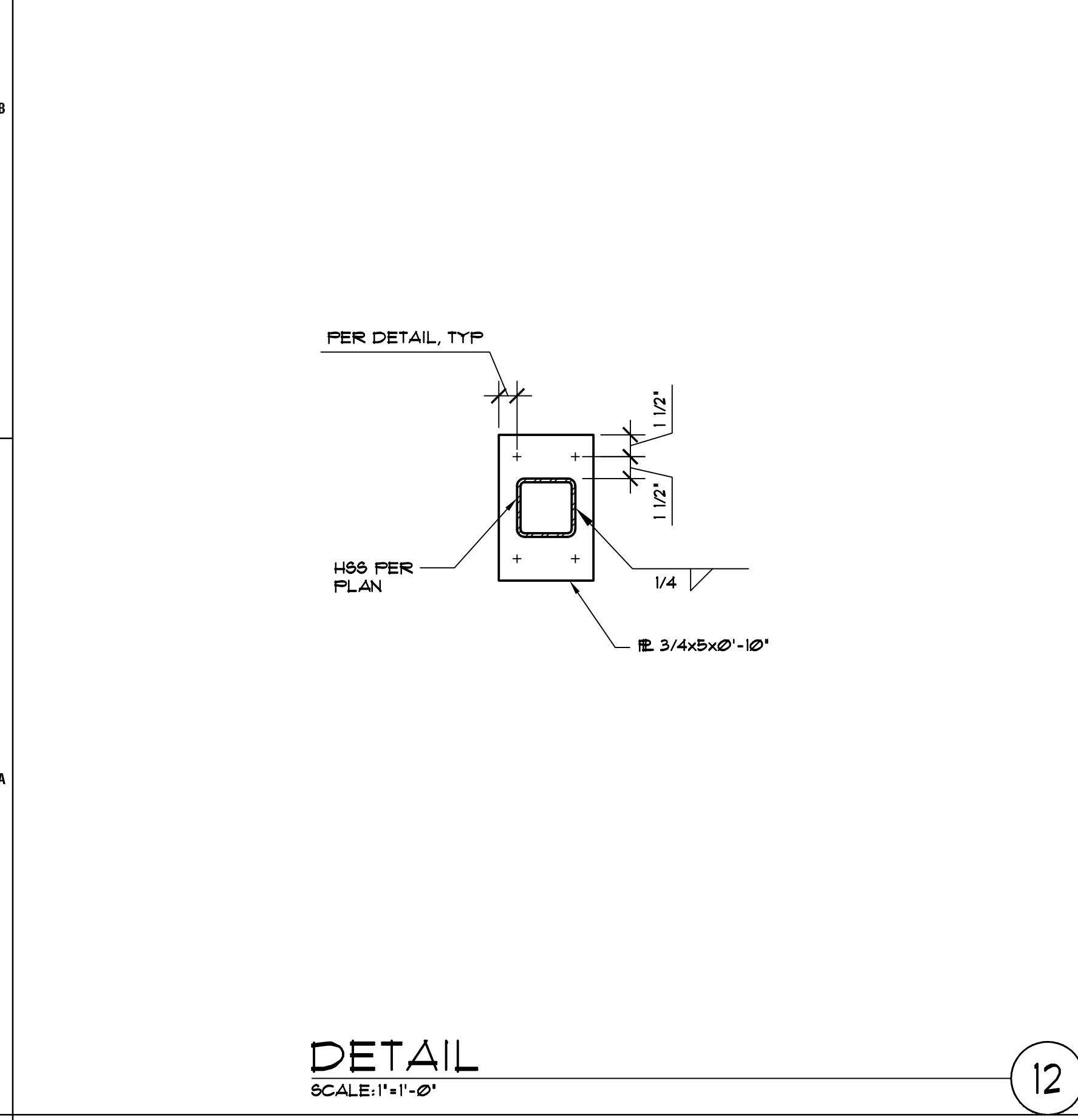
DETAIL
SCALE: 1"=1'-0"

5



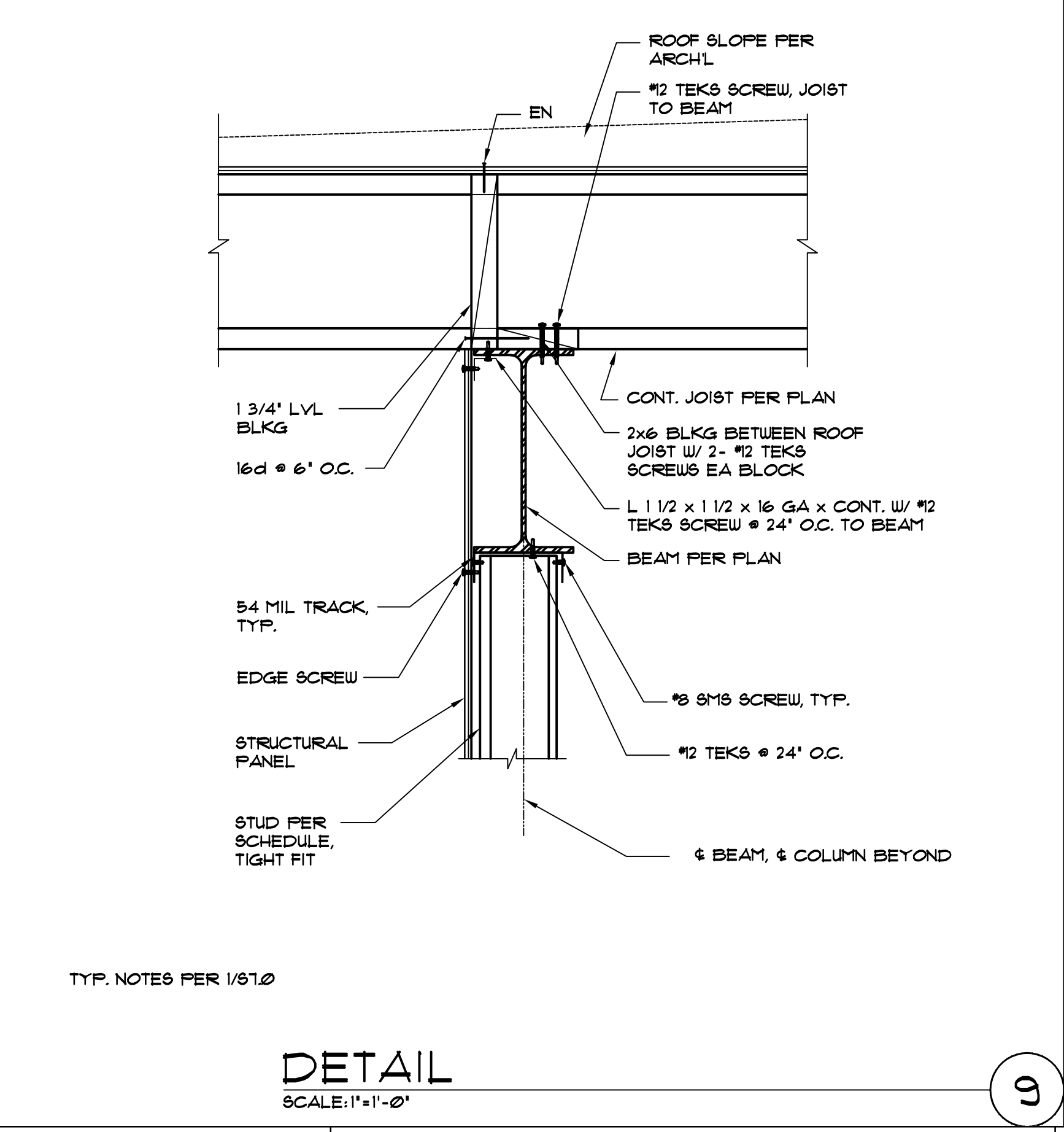
DETAIL
SCALE: 1"=1'-0"

2



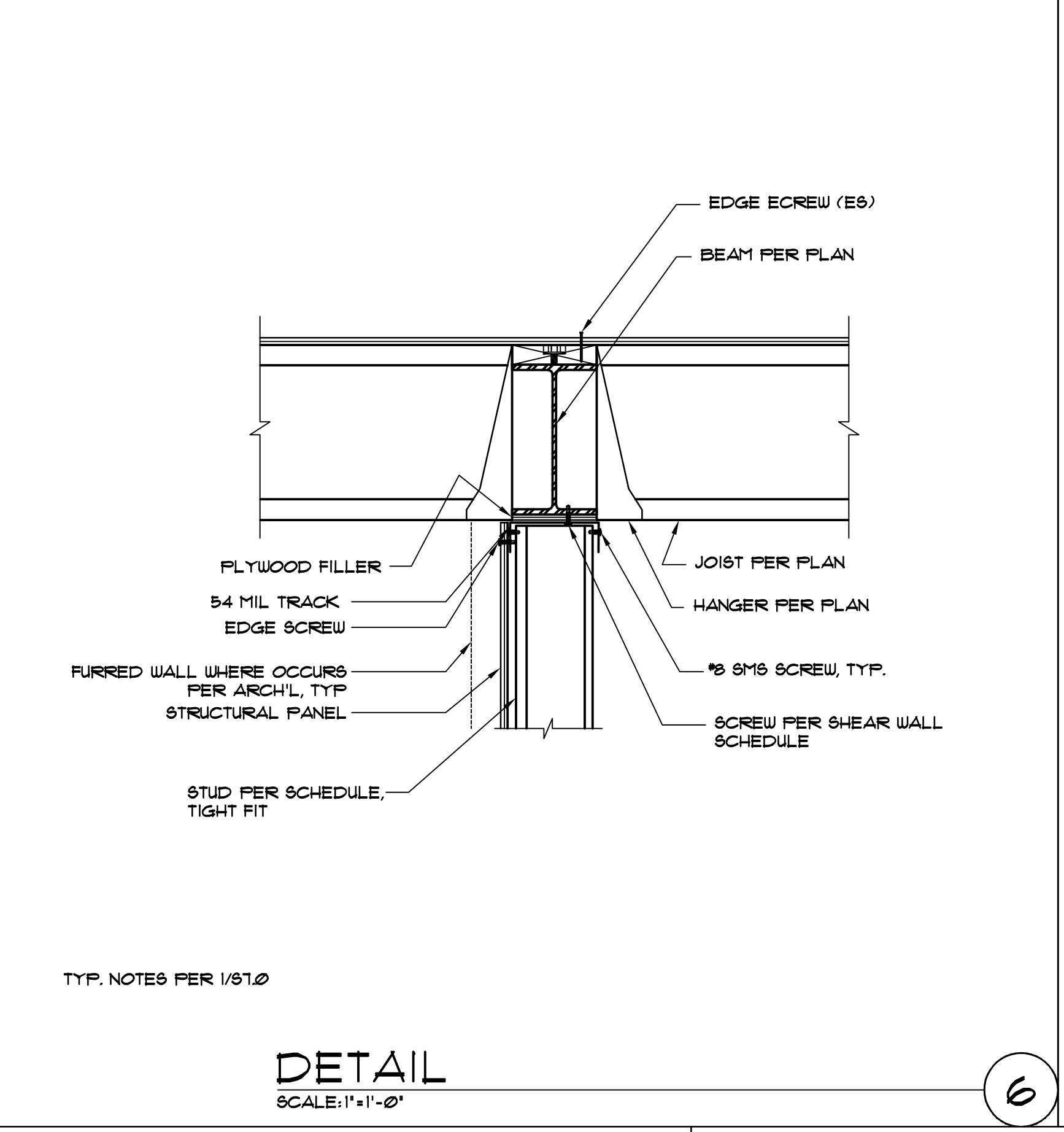
DETAIL
SCALE: 1"=1'-0"

12



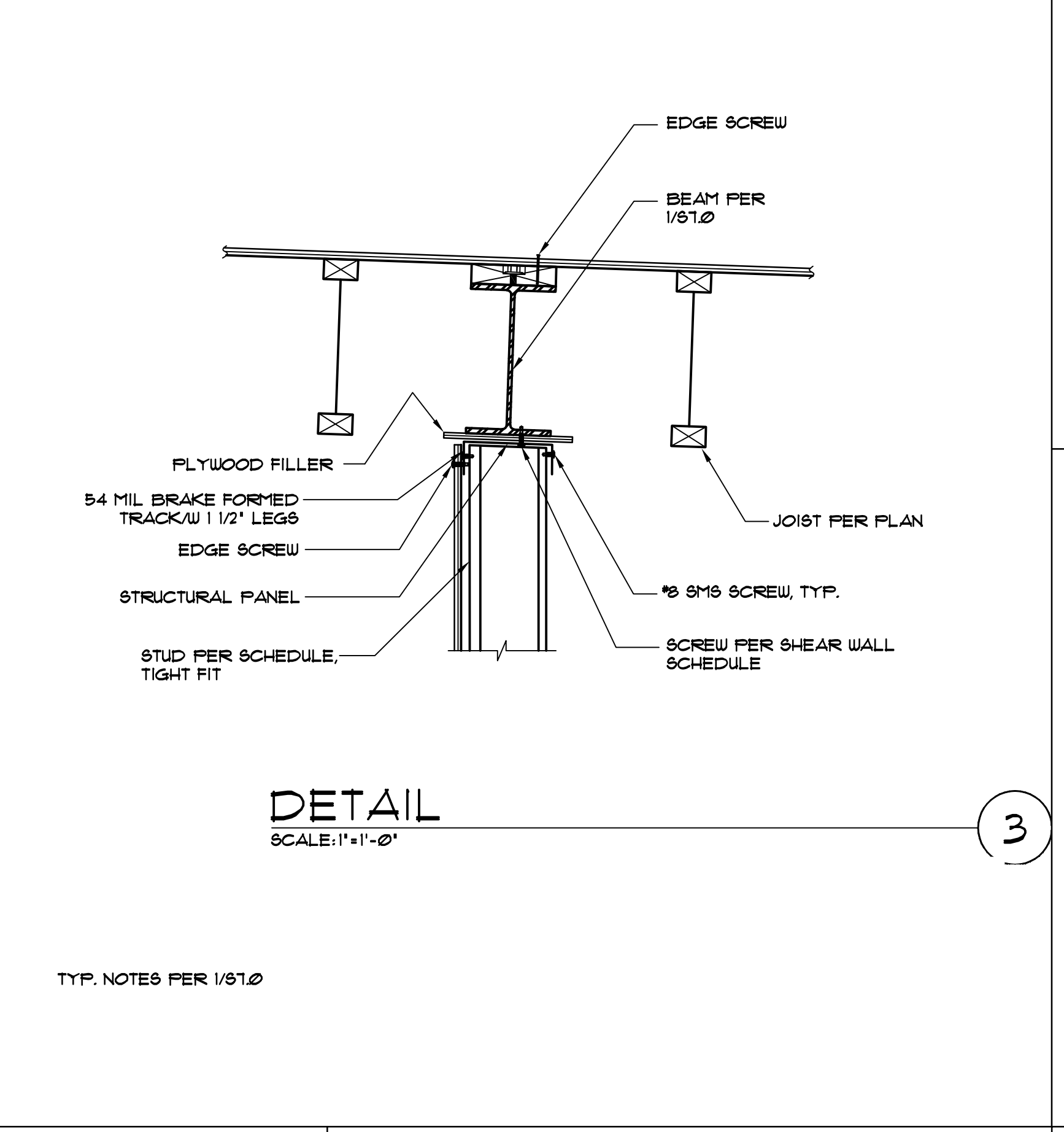
DETAIL
SCALE: 1"=1'-0"

9



DETAIL
SCALE: 1"=1'-0"

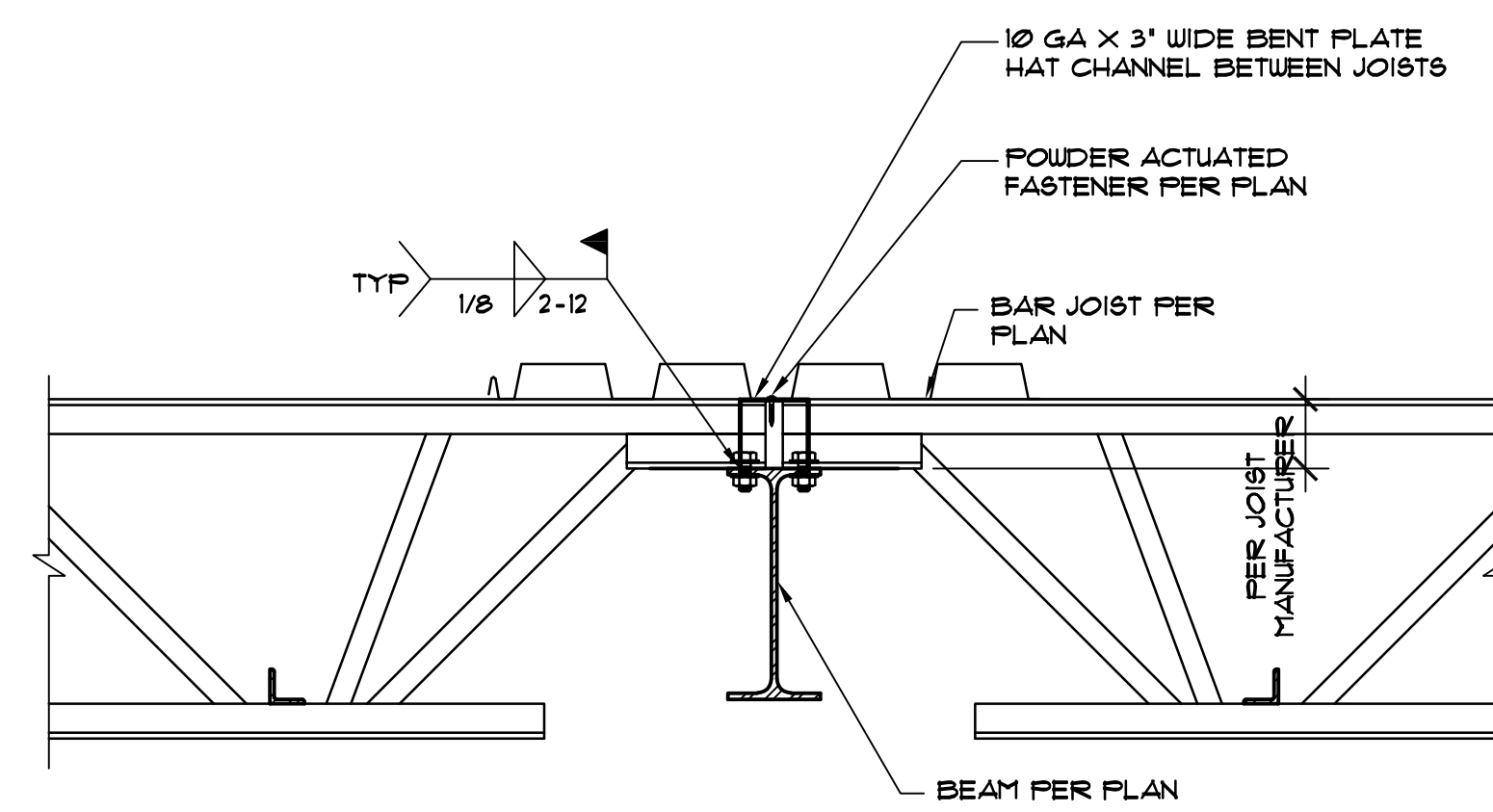
6



DETAIL
SCALE: 1"=1'-0"

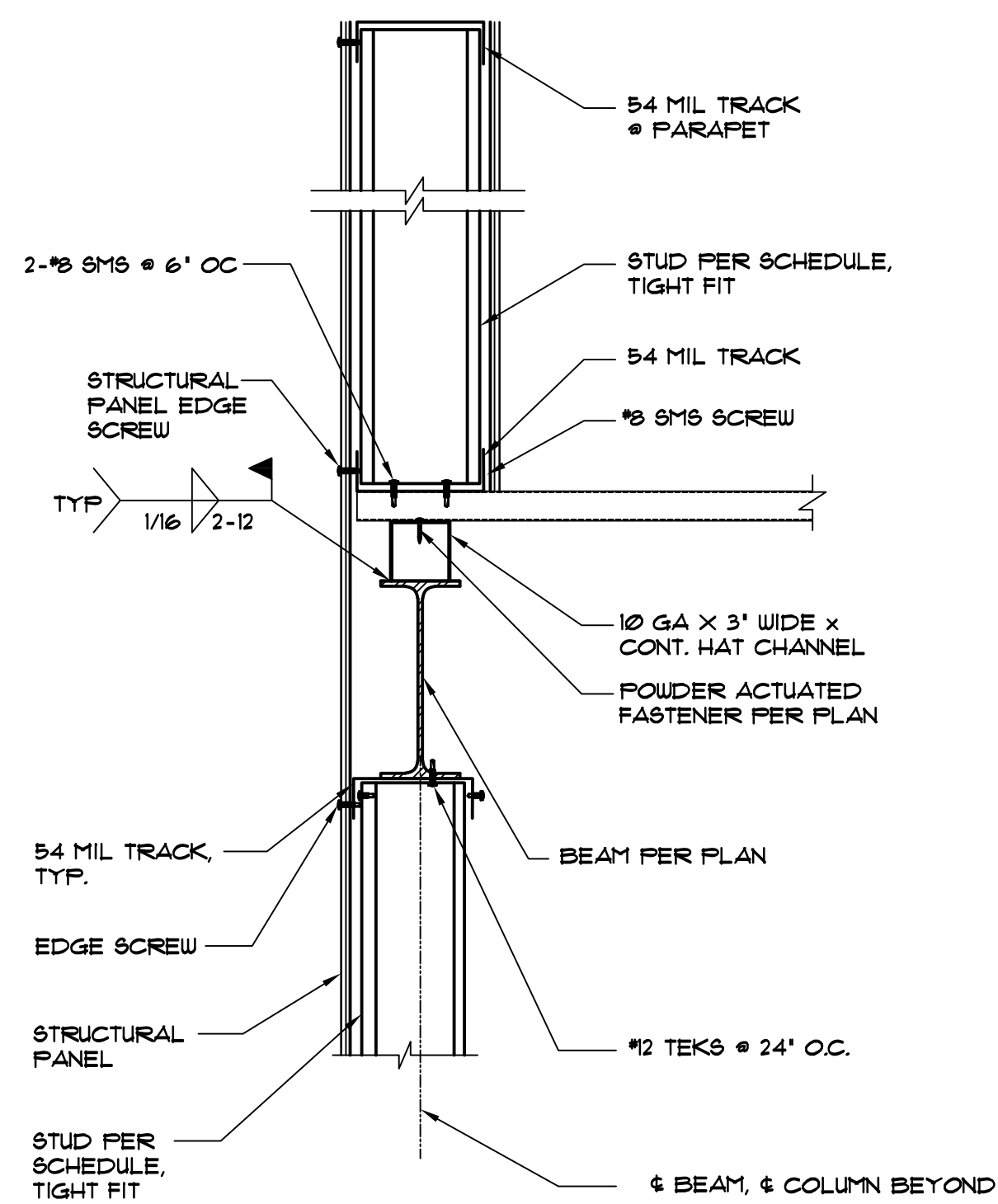
3

TYP NOTES PER 5/-



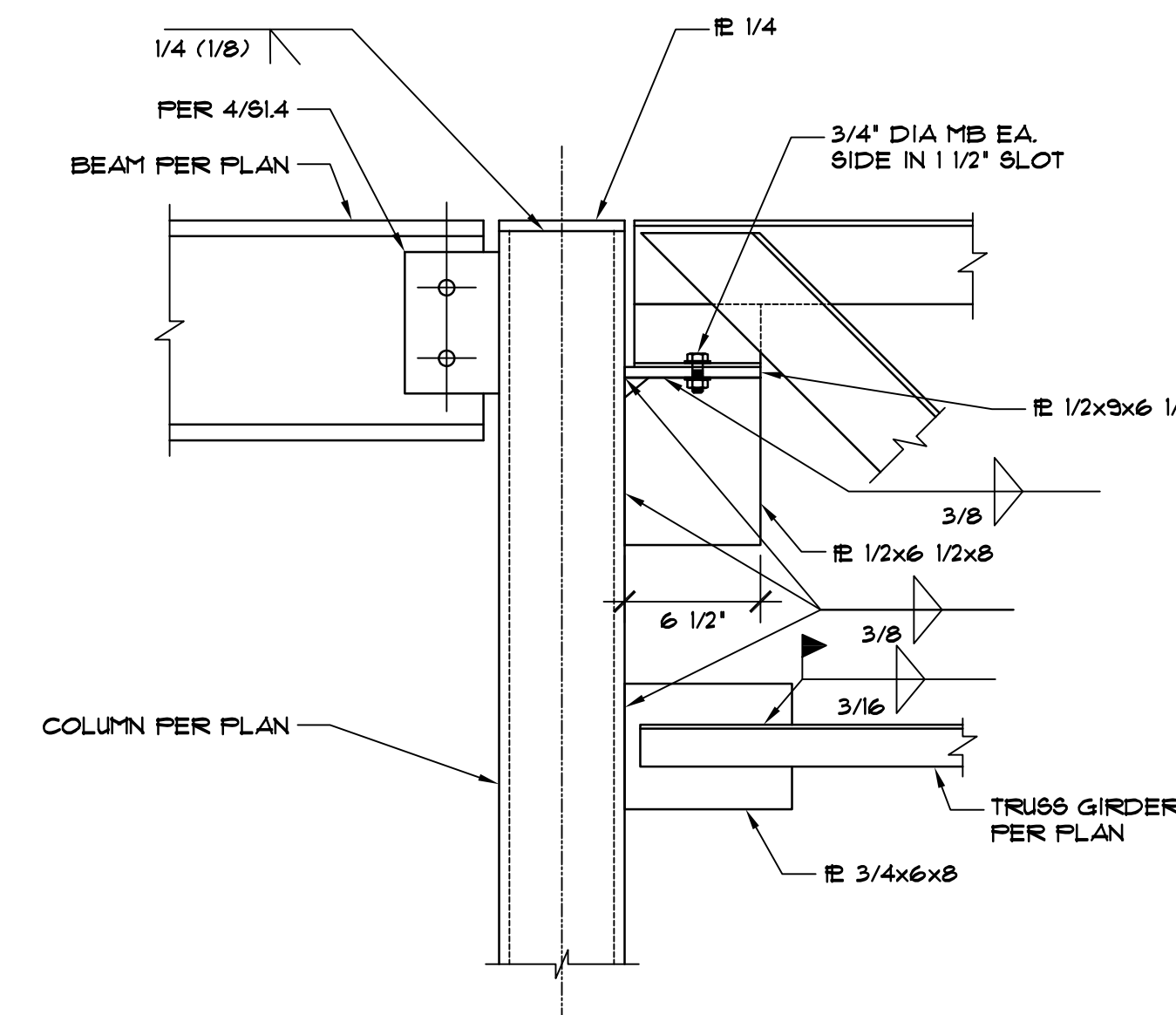
HAT CHANNEL AT DRAG
SCALE: 1"=1'-0"

10



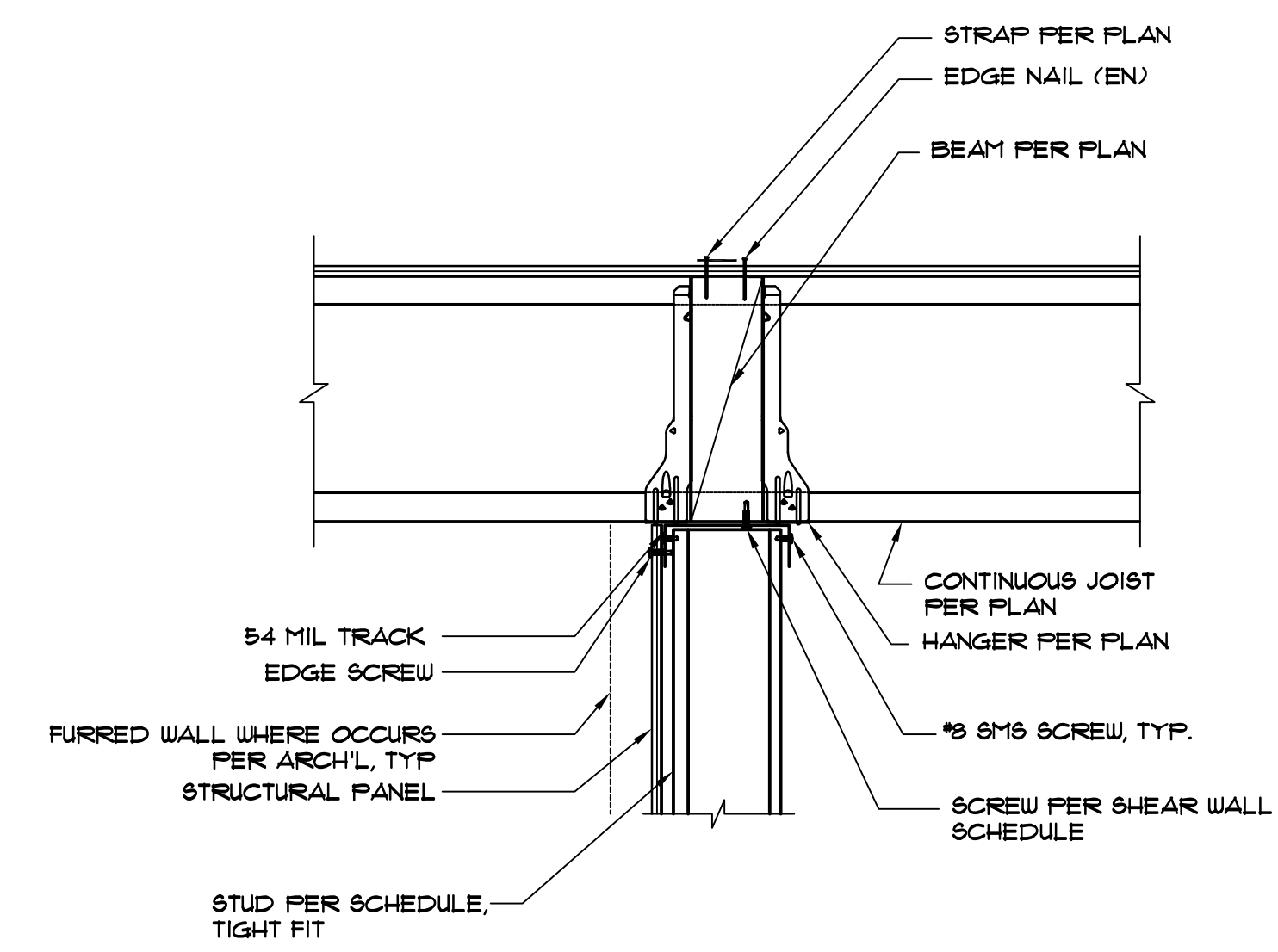
DETAIL
SCALE: 1"=1'-0"

7



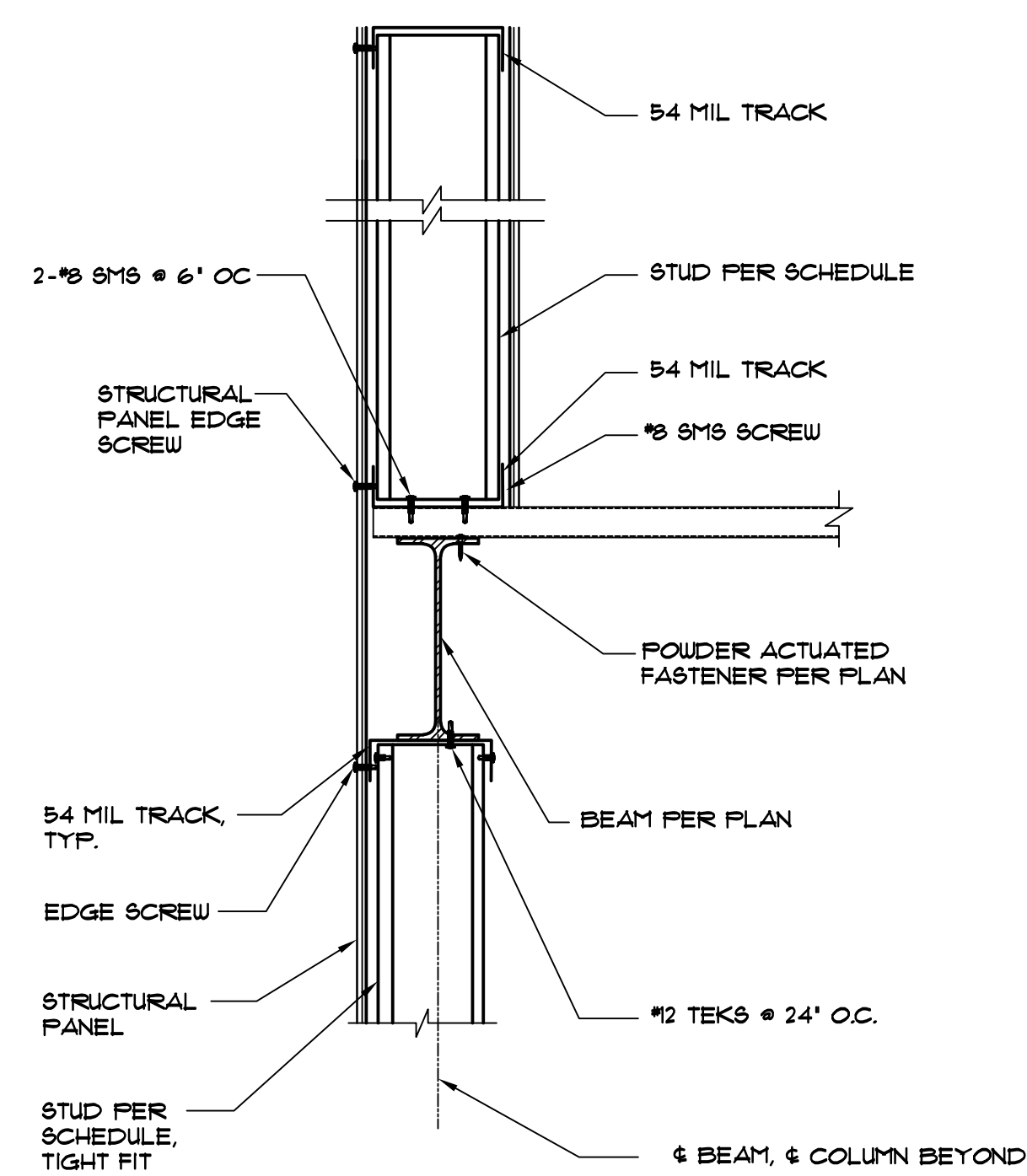
DETAIL
SCALE: 1"=1'-0"

4



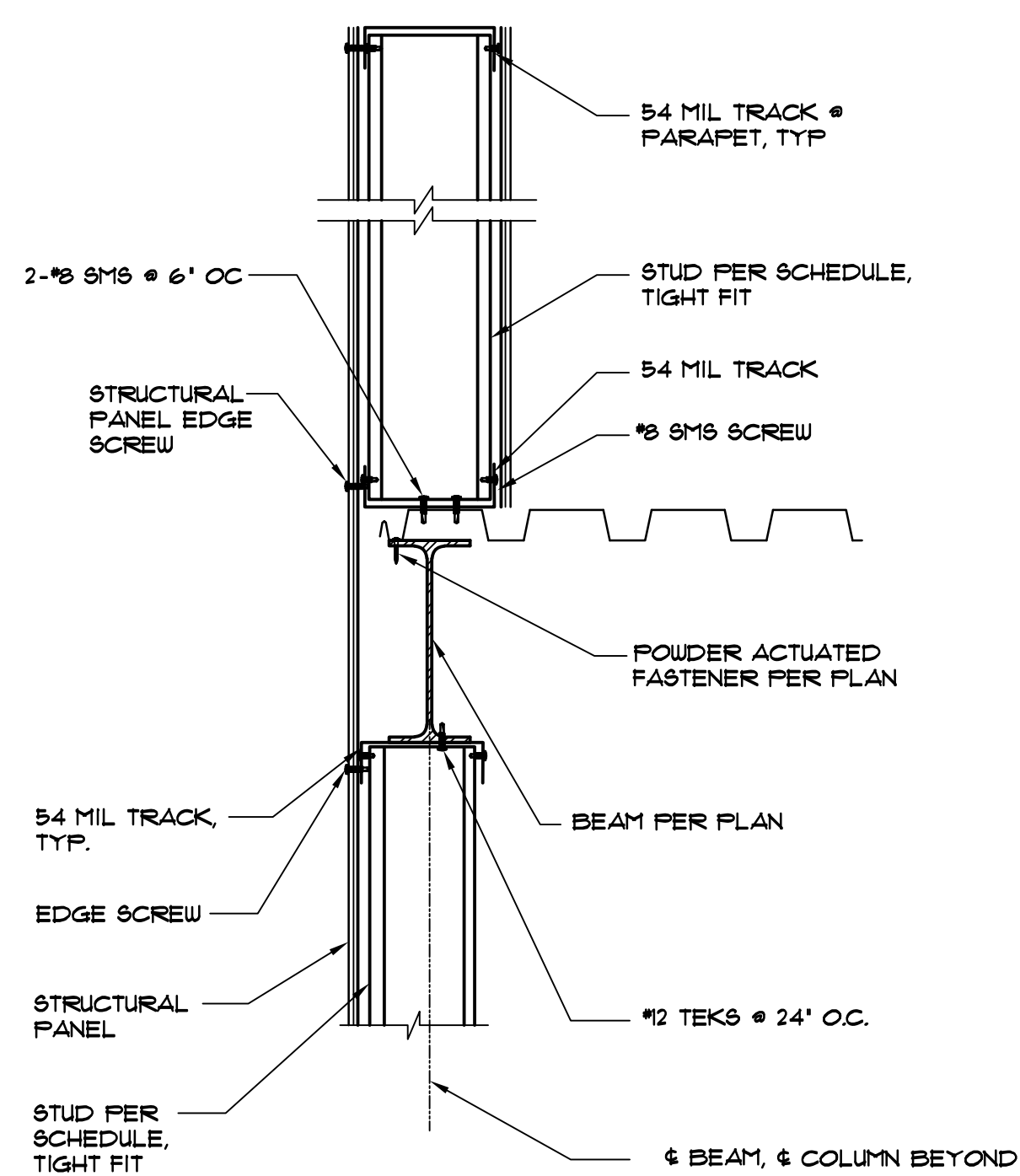
DETAIL
SCALE: 1"=1'-0"

1



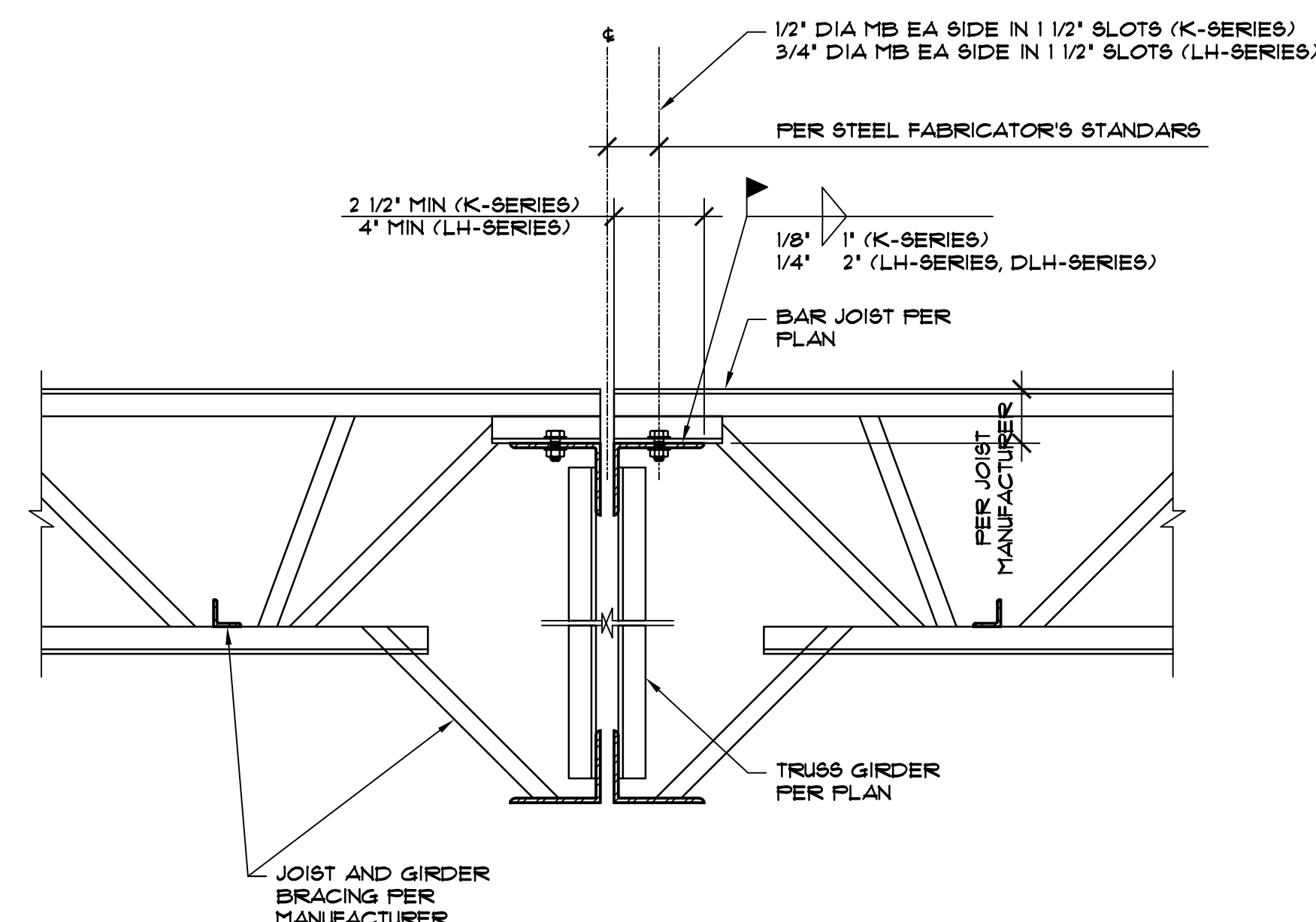
DETAIL
SCALE: 1"=1'-0"

11



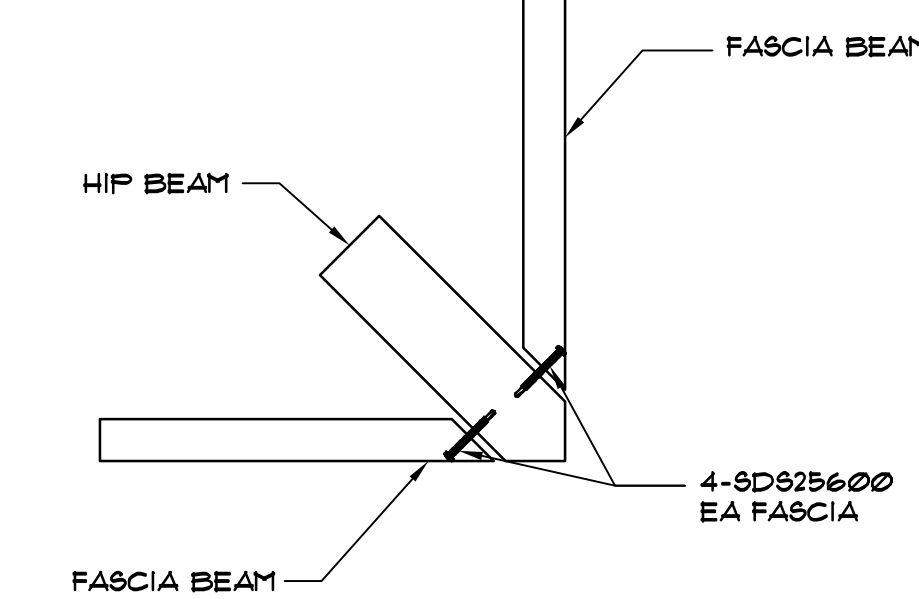
DETAIL
SCALE: 1"=1'-0"

8



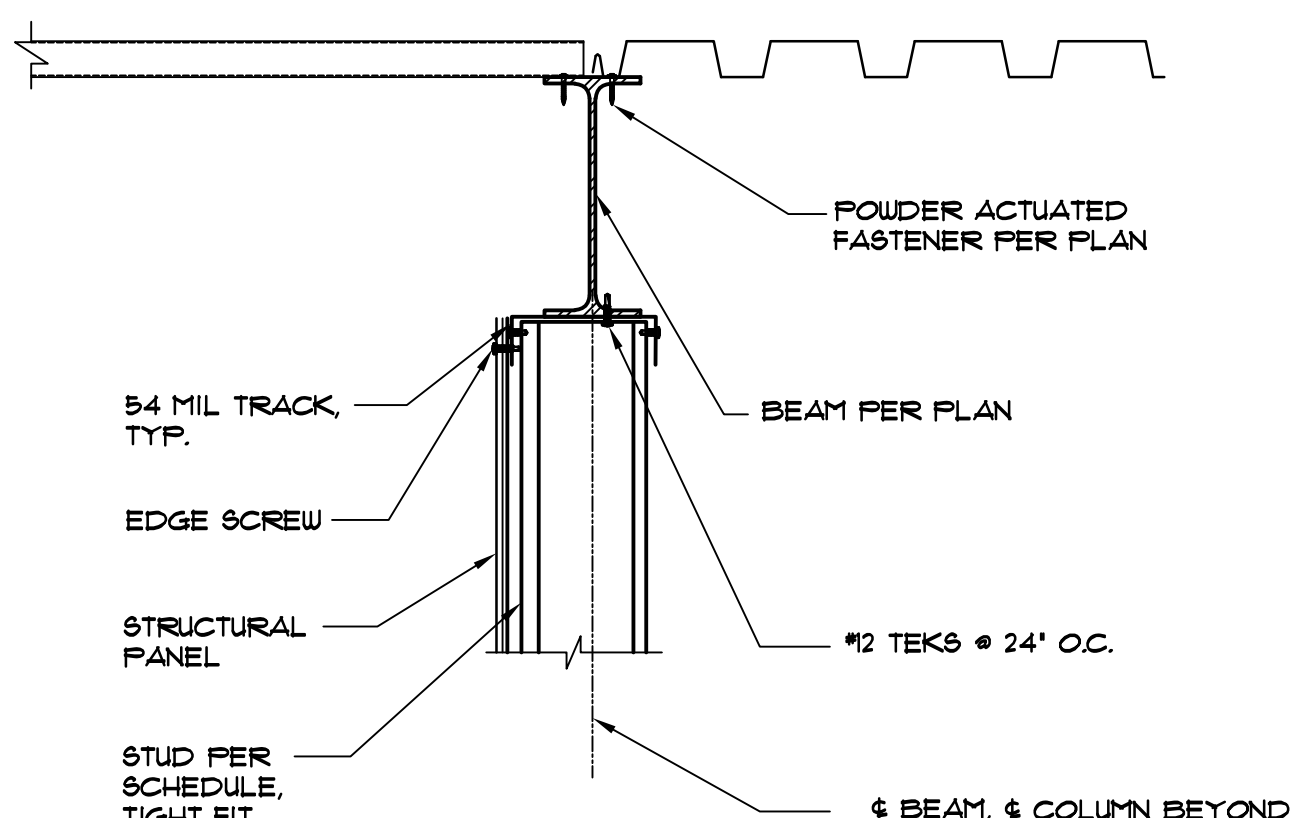
DETAIL
SCALE: 1"=1'-0"

5



DETAIL
SCALE: 1"=1'-0"

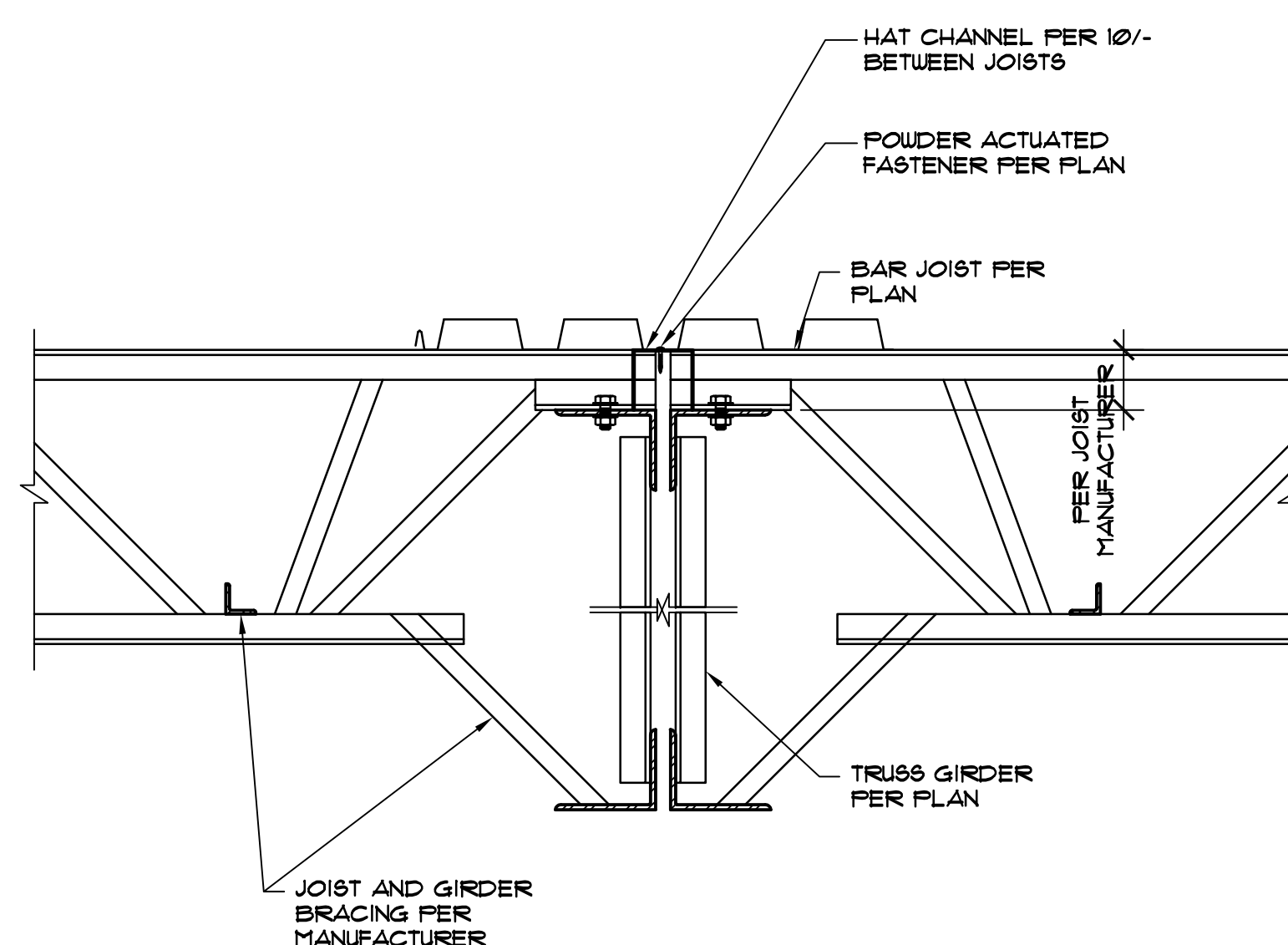
2



DETAIL
SCALE: 1"=1'-0"

12

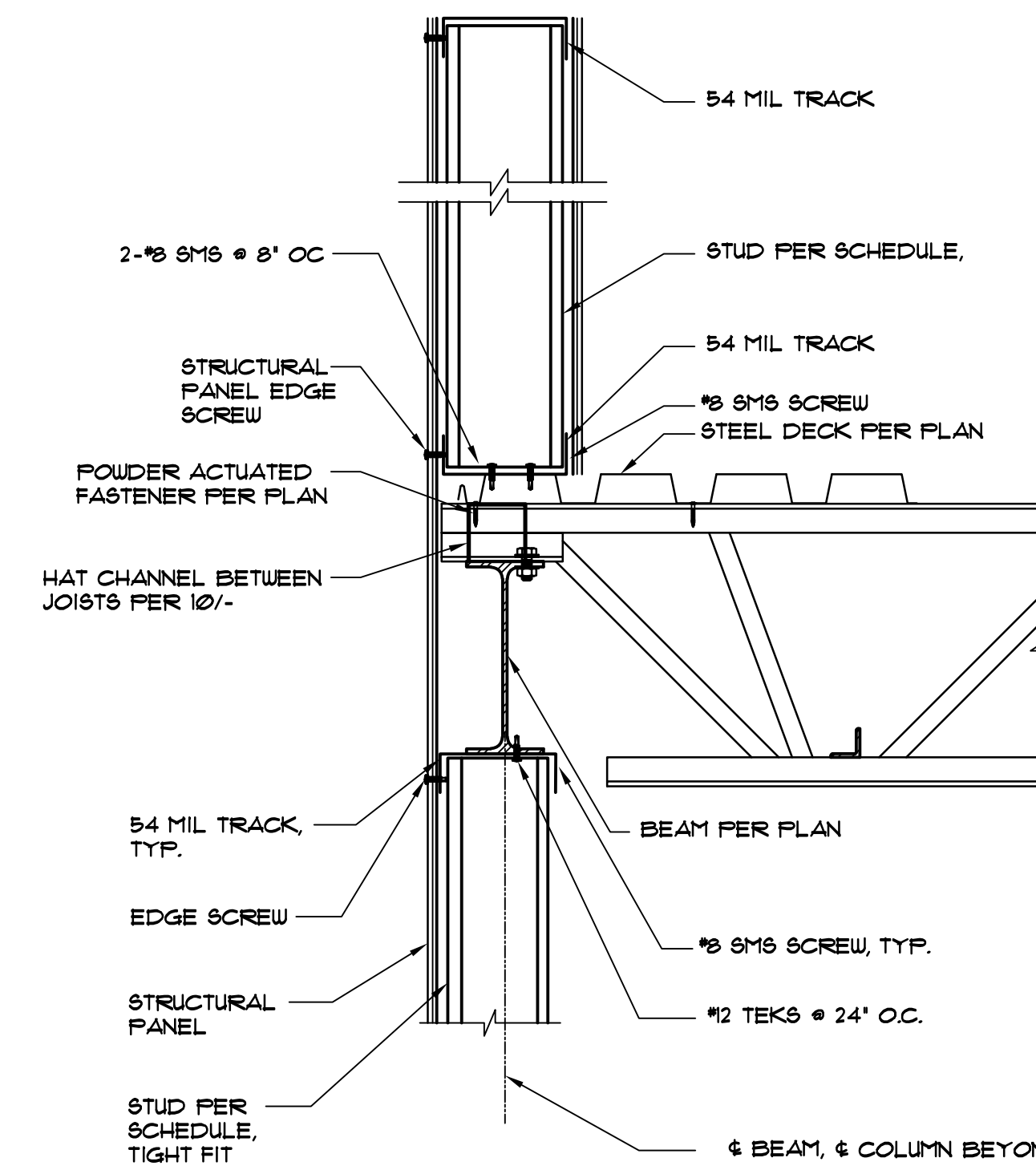
TYP NOTES PER 5/-



HAT CHANNEL AT DRAG
SCALE: 1"=1'-0"

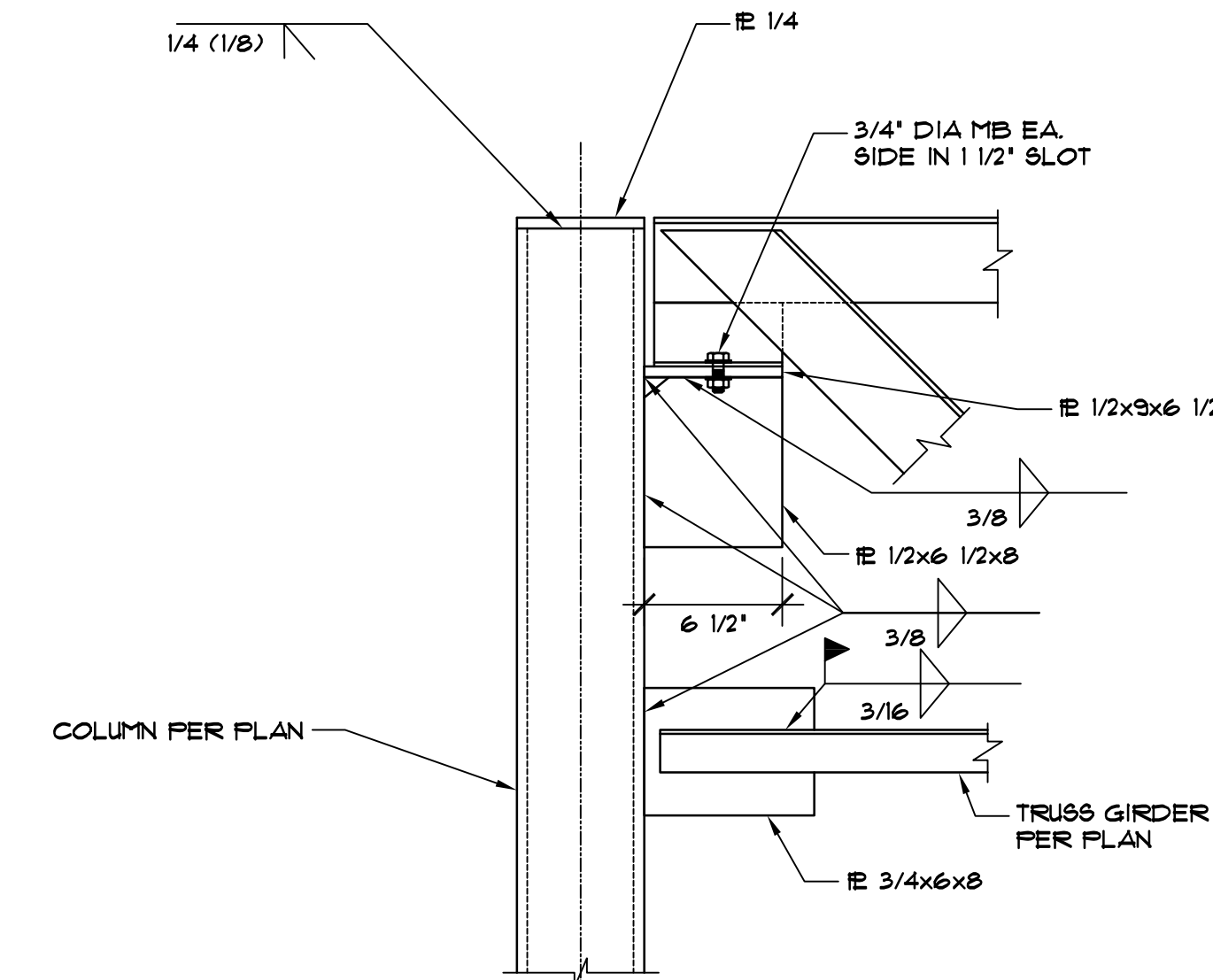
9

TYP NOTES PER 5/-



DETAIL
SCALE: 1"=1'-0"

6



DETAIL
SCALE: 1"=1'-0"

3